

HIGH QUALITY DESKTOP DISPLAYS

The 19LM121A61PY Series of LCD monitor heads has been designed for industrial applications that require a compact, VGA compatible monitor with good viewability. Once set, via the Autosetup facility, there is no need for user adjustments and there are no front controls.

The 19LM121A61PY Series incorporates PAL / NTSC capability, opening applications in security, surveillance and machine vision systems. With AC power supplies integrated within the base of the desktop stand, considerable force is required to unbalance them. This makes them ideal for touch screen applications on industrial desks. The display head is also available separately for arm mounting applications – see 29LM head monitor series.

SOLUTIONS FOR DESKTOP MONITORS

- > **A No Frills Industrial Design Concept**
A heavy - duty tiltable desktop stand with automatic image size adjustment
- > **Touch screen capability**
A touch screen can be easily integrated into the display
- > **Inputs**
All monitors have RCA connectors
- > **Rugged metal construction with good stability**
The LCD monitor has been designed with solidity, being housed in a compact metal construction with a toughened glass protection screen.



12.1" DESKTOP LCD MONITOR

DATASHEET

19LM121A61PY

Electrical Description		Mechanical Description	
TFT Characteristics:	Type:	AM Colour TFT	Input: RCA
	Max Resolution:	800 x 600 pixels	Housing: Painted aluminium
	Active Display Area:	246 x 184.5 mm	User Controls: Rear Mounted
	Response Time:	20ms average, typical	On Screen buttons: Auto set-up, OSD
	Contrast Ratio:	350:1 typical	
	Brightness:	350 cd/m2 typical	
	Viewing Angles (at CR>10):	120°H , 90°V	
	Backlight Life:	50,000 hours typical	
	No. Colours:	256k	
	Video Signal:	PAL / NTSC	
	Signal Sync:	Composite (CVBS) 1 V p-p	
	Synchronisation Range:		
Horizontal scan:	15kHz (PAL / NTSC)		
Vertical scan:	50 to 70Hz		
Power Supply:	115/230V 50/60Hz Power Pack inside base		
Power Consumption:	20W (Max)	Part Numbers:	
Environmental:	Storage Temp:	-20 to 60°C	Desktop Model: 19LM121A61PY
	Operating Temp:	0 to 50°C	Display Head only: 29LM121E61PY (12VDC)
			AC Power Pack: 20BK0220
			With Resistive Touch: 19LM121AR61PY
			With Capacitive Touch: 19LM121AC61PY

Due to a policy of continuous product development KME reserves the right to change specifications and descriptions without prior notification. All trademarks acknowledged.

KENT MODULAR ELECTRONICS LTD
 621 Maidstone Road
 Rochester, Kent ME1 3QJ
 T: +44 (0)1634 830123 F: +44 (0)1634 830619
 E: sales@kme.co.uk W: www.kme.co.uk

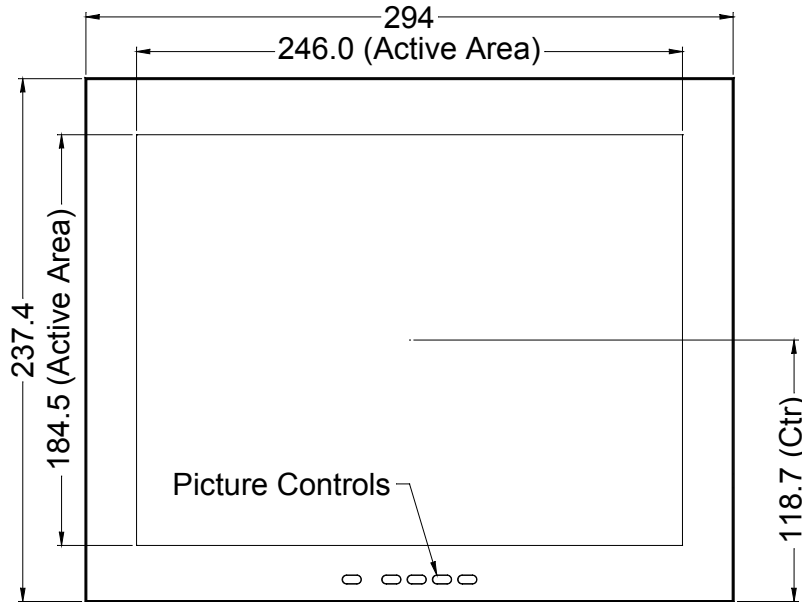


12.1" DESKTOP LCD MONITOR

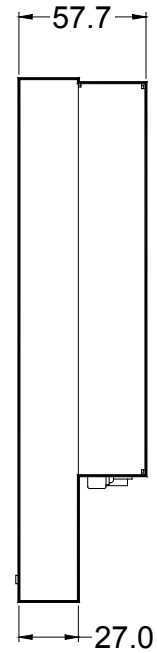
19LM121A61PY

DATASHEET

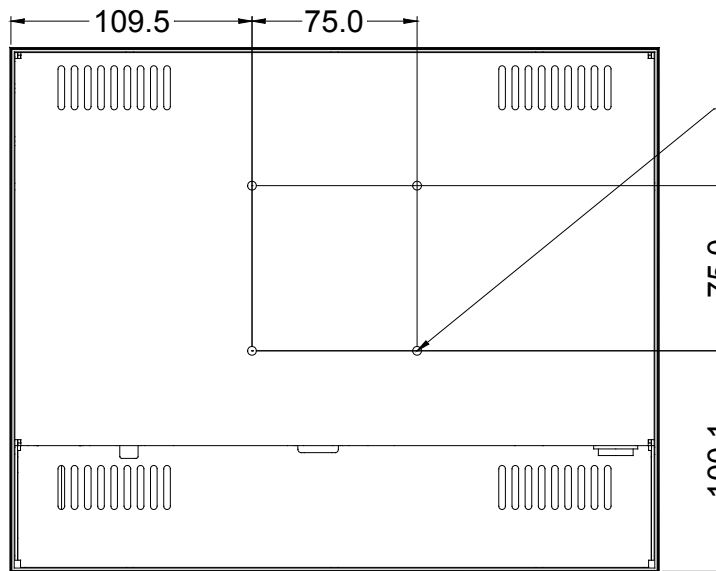
FRONT VIEW



SIDE VIEW

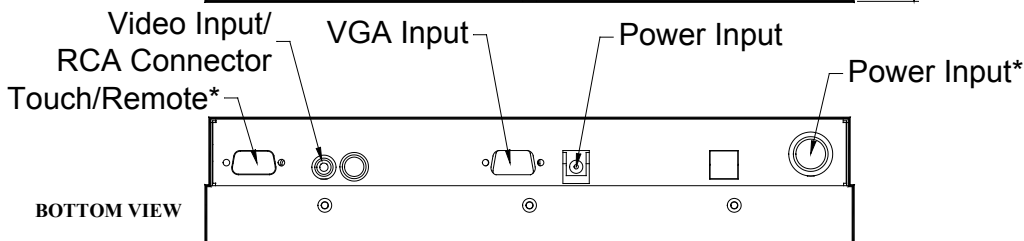


REAR VIEW



4xM4 Fixings on VESA Standard spacing

*Where fitted



All dimensions in millimetres
(Not to scale)