

HIGH QUALITY, LCD MONITOR HEAD

The 29LM065E31PY/1 Series of LCD monitor heads has been designed for industrial applications in the Control field and other users that require a PAL/NTSC compatible monitor with a small footprint, high brightness display with good viewing angles. The rugged, metal construction of the monitor ensures exceptional stability, especially important when touchscreen operation is necessary. The use of metal allows changes in case colour to be cost effective even for small quantities.

The 29LM065E31PY/1 series of LCD monitors utilise the latest 6.5" VGA TFT Flat Panels. KME has added a backlight inverter and OSD controls. All elements, including a toughened glass protective screen have been packaged in a compact, rugged metal housing. The result is a flexible Display Head, ready for integration as part of any system; as an analog monitor, or a touchscreen driven human-machine interface.

SOLUTIONS FOR MONITOR HEADS

- > **Vesa standard fixings for ergo arm**
VESA fixings at the rear making it easy for wall mounting or use with ergo arms.
- > **Optional touch screen facility**
A touch screen can be integrated into the monitor
- > **Inputs**
All monitors have RCA connectors
- > **Rugged metal construction with good stability**
The LCD monitor has been designed with solidity, being housed in a compact metal construction with a toughened glass protection screen.



6.5" LCD HEAD MONITOR

29LM065E61PY/1

DATASHEET

| Electrical Description | | Mechanical Description | |
|-------------------------------|---|------------------------------|---|
| TFT Characteristics: | Type: | AM Colour TFT | Dimensions: Monitor: 192 x 147 x 66mm Weight: 1.5kg approx |
| | Max Resolution: | 640 x 480 pixels VGA | Input: RCA |
| Active Display Area: | 134.5 x 101.4 mm | Housing: | Painted steel |
| Contrast Ratio: | 300:1 typical | User Controls: | At rear |
| | Brightness: | 400cd/m ² typical | On Screen buttons |
| Viewing Angles (at CR>10): | 55° left, 55° right, 60° Up, 30° Down | | Frequency, clock, phase, H & V centring and, brightness |
| Backlight Life: | 40,000 hours typical | | |
| No. Colours: | 256k | | |
| Video Signal: | PAL / NTSC | | |
| Signal Sync: | Composite (CVBS) 1Vp-p | | |
| Synchronisation Range: | Horizontal scan: 15kHz (PAL) - 38kHz Vertical scan: 70Hz | | |
| Power Supply: | 12.0Vdc | | |
| Power Consumption: | 15W (Max) | Part Numbers: | |
| Environmental: | Storage Temp: | -20 to 60°C | Part number: 29LM065E61PY/1 |
| | Operating Temp: | 0 to 50°C | AC Power Pack: 20BK0220 Resistive touch screen via RS232: 29LM065ER61PY/1 (or USB option) |

Due to a policy of continuous product development KME reserves the right to change specifications and descriptions without prior notification. All trademarks acknowledged.

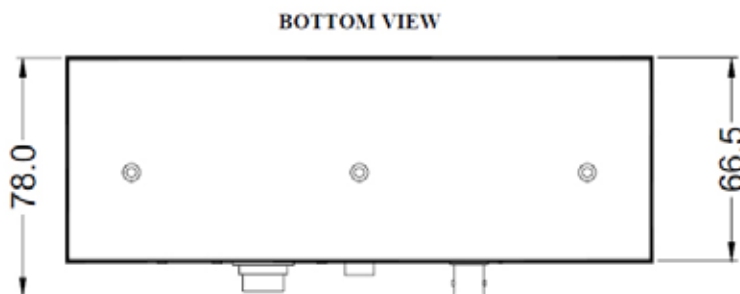
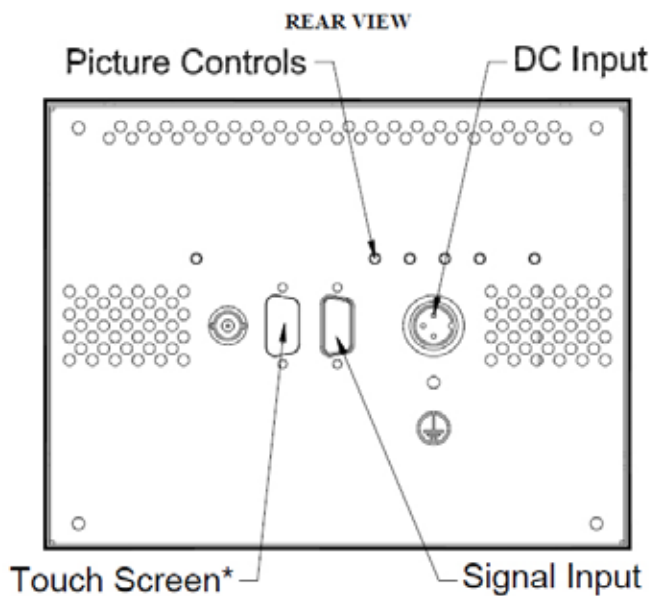
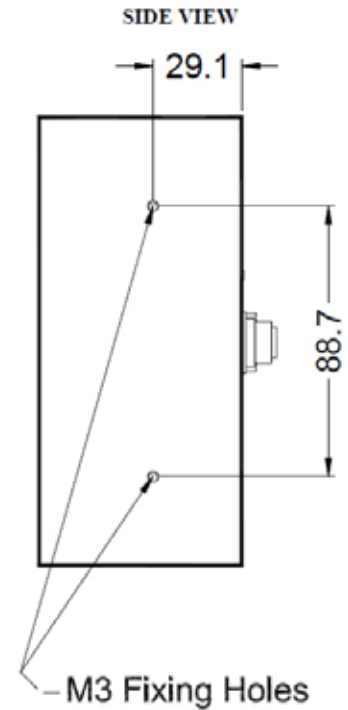
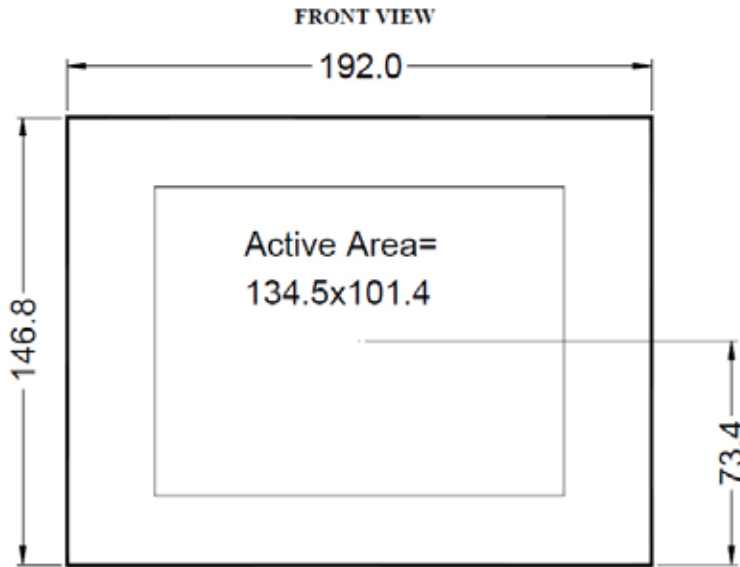
KENT MODULAR ELECTRONICS LTD
 621 Maidstone Road
 Rochester, Kent ME1 3QJ
 T: +44 (0)1634 830123 F: +44 (0)1634 830619
 E: sales@kme.co.uk W: www.kme.co.uk



6.5" LCD HEAD MONITOR

29LM065E61PY/1

DATASHEET



Where Fitted*

All dimensions in millimetres
(Not to scale)

KENT MODULAR ELECTRONICS LTD
621 Maidstone Road
Rochester, Kent ME1 3QJ
T: +44 (0)1634 830123 F: +44 (0)1634 830619
E: sales@kme.co.uk W: www.kme.co.uk

