

HIGH QUALITY, LCD MONITOR HEAD

The 29LM12161PY Series of LCD monitor heads has been designed for industrial applications that require a compact VGA/SVGA compatible monitor with good viewability. It is constructed from painted Aluminium, making it lightweight with good rigidity. VESA fixings at the rear make for easy wall mounting or use with Ergo arms. Side and/or Top fixing brackets are also available.

SOLUTIONS FOR MONITOR HEADS

- > **Vesa standard fixings for ergo arm**
VESA fixings at the rear making it easy for wall mounting or use with ergo arms.
- > **Optional touch screen facility**
A touch screen can be integrated into the monitor
- > **Inputs**
All monitors have RCA connectors
- > **Rugged metal construction with good stability**
The LCD monitor has been designed with solidity, being housed in a compact metal construction with a toughened glass protection screen.



12.1" LCD HEAD MONITOR

29LM121E61PY

DATASHEET

Electrical Description		Mechanical Description	
TFT Characteristics:	Type:	a-si TFT active matrix	Input: RCA
	Max Resolution:	800 x 600 pixels	Housing: Painted aluminium
	Active Display Area:	246mm x 184.5mm	User Controls: Front mounted
	Response Time:	25ms average, typical	On Screen buttons: Brightness, Contrast, OSD
	Contrast Ratio:	350:1 typical	
	Brightness:	350cd/m ² typical	
	Viewing Angles (at CR>10):	160 ° / 160 °	
	Backlight Life:	50,000 hours typical	
	No. Colours:	260K	
Video Signal:		Pal / NTSC	
Signal Sync:		Composite (CVBS) 1Vp-p	
Synchronisation Range:	Horizontal scan:	15kHz (Pal / NTSC)	
	Vertical scan:	50 to 60Hz	
Power Supply:		12.0Vdc at 0.8A approx External AC/DC Power	
Power Consumption:		30W (Max)	
			Part Numbers:
Environmental:	Storage Temp:	-20 to 70°C	Part number: 29LM121E61PY
	Operating Temp:	-20 to 70°C	AC Power Pack: 20BK0220
			Resistive touch screen via RS232: (or USB option) 29LM121ER61PY

Due to a policy of continuous product development KME reserves the right to change specifications and descriptions without prior notification. All trademarks acknowledged.

KENT MODULAR ELECTRONICS LTD
 621 Maidstone Road
 Rochester, Kent ME1 3QJ
 T: +44 (0)1634 830123 F: +44 (0)1634 830619
 E: sales@kme.co.uk W: www.kme.co.uk

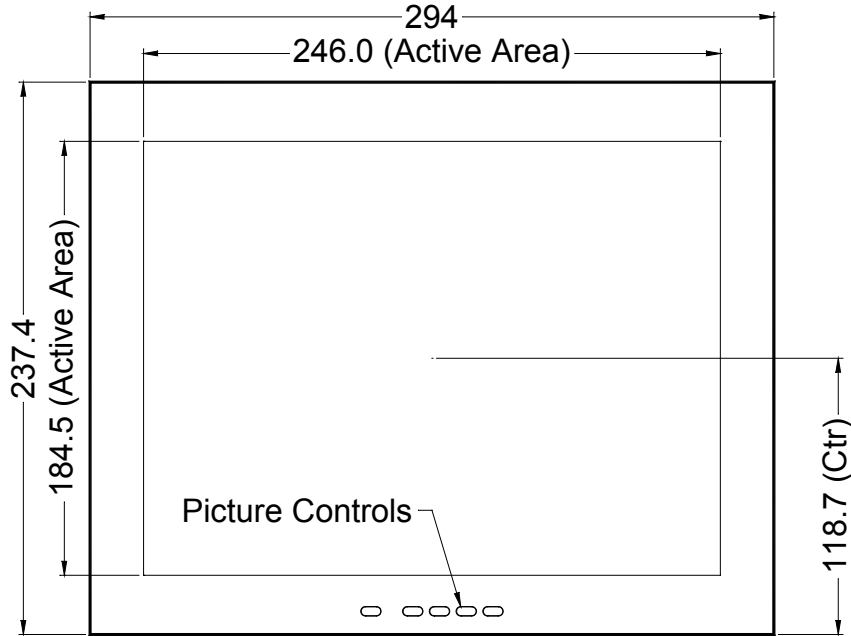


12.1" LCD HEAD MONITOR

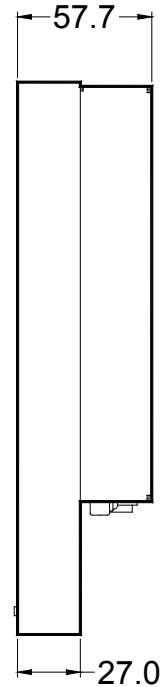
29LM121E61PY

DATASHEET

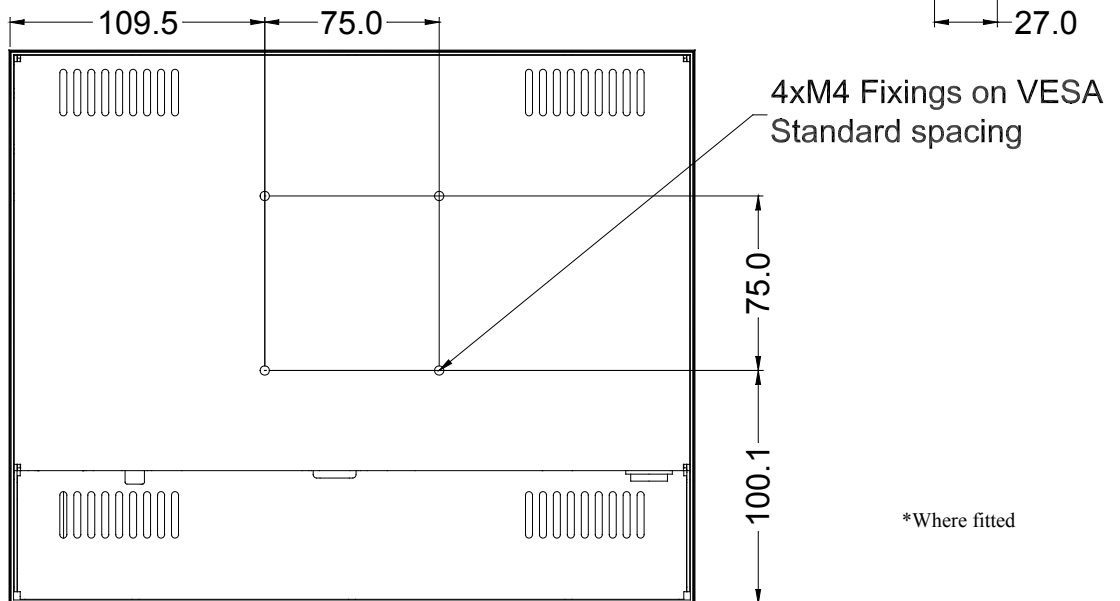
FRONT VIEW



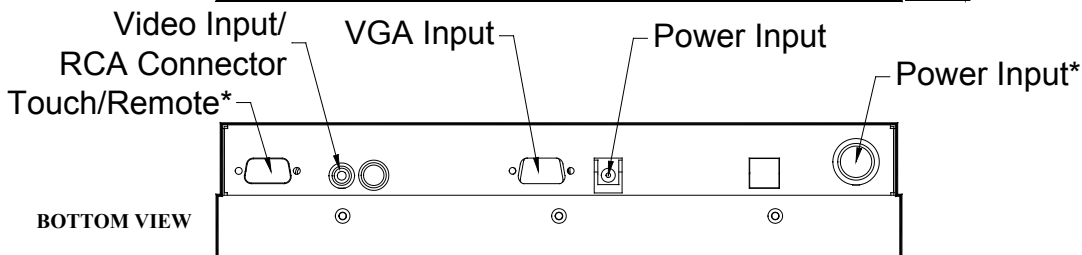
SIDE VIEW



REAR VIEW



*Where fitted



All dimensions in millimetres
(Not to scale)