

15" HEAD MOUNT MILITARY MONITOR

29LM153A31MP-M

DATASHEET

HIGH QUALITY, RUGGED MILITARY DISPLAY

The 29LM153A31MP-M Series of LCD monitors has been designed for industrial applications that require a compact XGA compatible monitor with good viewability. It is constructed from painted Aluminium, making it lightweight with good rigidity.

The 29LM153A31MP-M Series incorporates rugged chassis construction for shock and vibration. With wide viewing angles and deep dimming capabilities, this series of monitors is ideal for the more demanding of applications. The 31MP-M series has been designed to comply with military standards for shock & vibration and EMC.

SOLUTIONS FOR THE MILITARY ENVIRONMENT

- > Rugged Design for Vehicle Mounting
- > Non-glare Glass Protection Screen, AR Coated
- > High Brightness & Wide Viewing Angles
- > Deep Dimming Capability
- > VESA Standard Rear Fixing



15" HEAD MOUNT MILITARY MONITOR

29LM153A31MP-M

DATASHEET

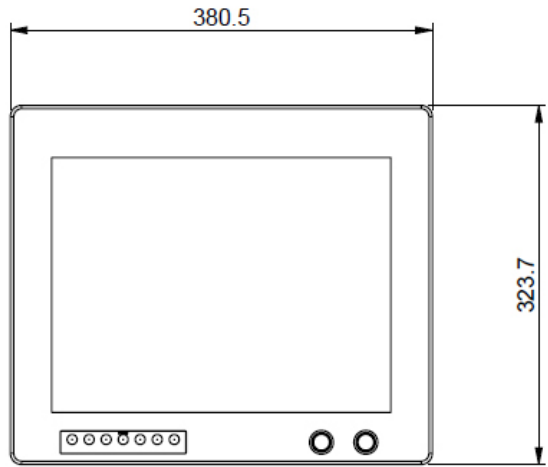
Electrical Description		Mechanical Description	
TFT Characteristics:		Dimensions:	Monitor: 380 x 324 x 75mm (approx) Weight: 10 kg. approx
Type:	15" a-Si AM TFT		
Max Resolution:	1024 x 768 pixels	Housing	Aluminium
Active Display Area:	304.1 x 228.1 mm		
Brightness:	250cd/m2 typical		
Contrast Ratio:	450:1 typical	Environment	
		Operating Temp:	-10°C to +55°C
Viewing Angles (at CR>10):	130 ° / 110 °	Storage Temp:	-20°C to 60°C
No. Colours:	16.7 million	Sealing:	IP65min
		Operating Humidity:	50% to 90% (non condensing) 28% to 90% (non condensing)
Connector:	8STO-12G35SN		
Synchronisation Range:			
Horizontal scan:	15kHz (PAL) -63.81kHz	Emission:	Mil-STD-461E
Vertical scan:	56 - 60Hz	Immunity:	Mil-STD-461E
		Safety:	EN60950
		Shock:	Mil-STD-810F
		Vibration:	Mil-STD-810F
		Marine:	IEC 60945
Display Modes:	640 x 480 800 x 600 1024 x 768 (recommended mode)		
Controls:	Front and Rear Panel		
Power Supply:	90 - 265V AC 50-60Hz		
Power Consumption:	50W (Max)	Part Numbers:	
		Model number:	29LM153A31MP-M
		DC monitor:	29LM153D31MP-M
		AC Touchscreen (resistive):	29LM153AR31MP-M
		DC Touchscreen (resistive):	29LM153DR31MP-M

Due to a policy of continuous product development KME reserves the right to change specifications and descriptions without prior notification. All trademarks acknowledged.

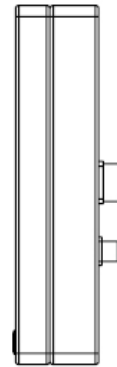
15" HEAD MOUNT MILITARY MONITOR

29LM153A31MP-M

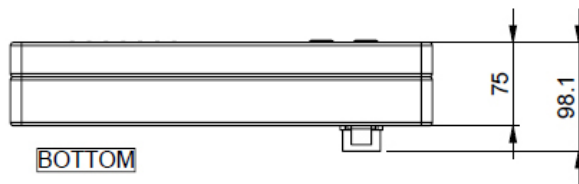
DATASHEET



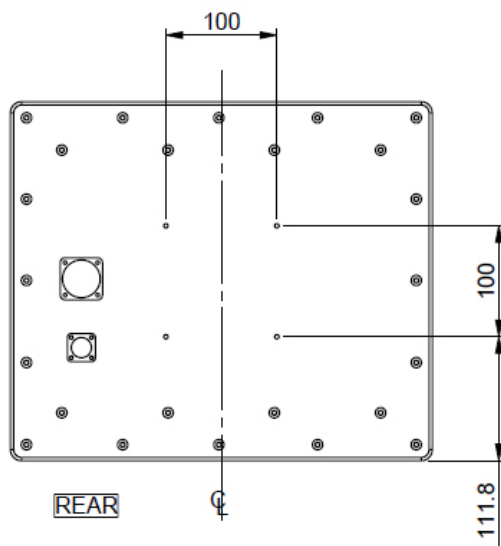
FRONT



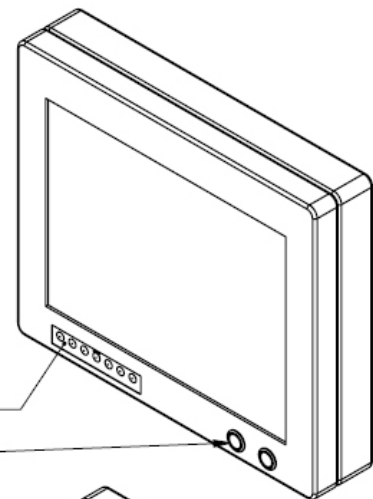
SIDE



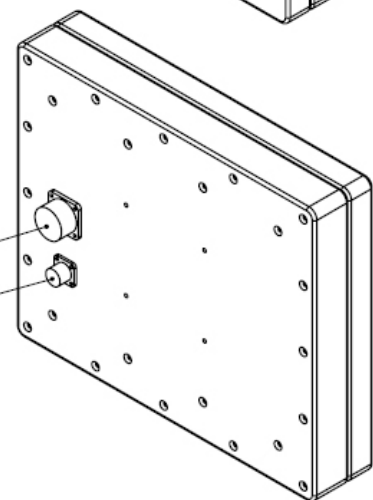
BOTTOM



REAR



OSD CONTROLS
BRIGHTNESS



SIGNAL
POWER

KENT MODULAR ELECTRONICS LTD
621 Maidstone Road
Rochester, Kent ME1 3QJ
T: +44 (0)1634 830123 F: +44 (0)1634 830619
E: sales@kme.co.uk W: www.kme.co.uk

