

17" LCD MARINE RACKMOUNT MONITOR

29LR173A35MP/5

DATASHEET

HIGH QUALITY, RUGGED METAL CONSTRUCTION

KME have developed a high resolution TFT panel which is designed to withstand the maritime environment. The displays are IP sealed to withstand shock and vibration and are designed to comply with marine approved standards. The popular rack front monitor has a rugged milled aluminium rack front and is manufactured in full compliance with IACS E10.

Designed with ECDIS and Radar in mind, the range specifically meets the stringent demands of Shock, Vibration, EMC and EMI defined in the IEC 60945 International Standard for Maritime Navigation and Radio communications Equipment & Systems.

To aid installation, flexible mounting combinations include 100mm VESA standard fixings at the rear, and a separate mounting bracket for Control Desk or Overhead positioning.

The use of high quality components, robust and lightweight casing, anti - glare safety glass, transfective enhancements and touch-screen capability makes KME's monitors ideal for demanding applications.

SOLUTIONS FOR MARINE APPROVED MONITORS

- > **IP65 sealed**
The front is sealed to IP65 rating for water and dust resistance.
- > **Advanced Deep Dimming 2000:1**
KME have developed a deep dimming solution for the marine range which provides smooth consistent dimming to 2000:1 (dim to black is available on request).
- > **Optional Touchscreen Integration**
KME can offer a variety of touchscreen solutions for the marine range with either serial or usb interface.
- > **Certified & Approved**
The marine range is designed to comply with EN 60945 and EN 60950. In the case of the 17" and 19" monitors some are already certified and approved to these standards.
- > **Inputs**
All monitors have VGA (multiscanning), DVI and PAL.
Power 90-265V AC. DC options available



17" LCD MARINE RACKMOUNT MONITOR

29LR173A35MP/5

DATASHEET

Electrical Description		Mechanical Description	
TFT Characteristics:		Dimensions:	Monitor: 460(w) x 399.9(h) x 89.4(d)mm Weight: 11kg
Type:	17" a-Si AM TFT	Input Connectors:	VGA 15 - WAY D DVI PAL / BNC S-VIDEO
Max Resolution:	1280x1024 pixels		
Active Display Area:	337.92 x 270.336 mm	User Controls:	Front Mounted
Response Time:	15ms	Housing:	Aluminium
*Contrast Ratio:	1000:1 typical	Sealing:	IP65
*Brightness:	280cd/m ² typical	Approvals	
Viewing Angles (at CR>10):	178° / 178°	ECDIS & Radar Compliance:	
Backlight Life:	50,000 typical	IEC 61174:	Designed to comply
No. Colours:	16.7 million	EMC & Safety:	
Video Signal:	RGB 0.7-1.0Vp-p	EN 60950	Designed to comply
Composite Video Inputs:	PAL/NTSC & SECAM with 'Picture In Picture' (PIP) facility	Marine Communications:	
Signal Sync:	Separate H & V (=ve) TTL or Composite (-ve) TTL or Sync - on - Green (-ve) 0.3V	IEC 60945:	Designed to comply
Synchronisation Range:		Type Approvals:	
Horizontal scan:	31-75 kHz	ABS, DNV, LRS ClassNK, GL	
Vertical Scan:	60-75 Hz		
Display modes:	640 x 480 VGA 800 x 600 SVGA 1024 x 768 XGA 1280 X 1024 (recommended)		
Power Supply:	90-265V AC 50-60Hz	Part Numbers:	
Power Consumption:	65W (Max)		
Environmental: **Operating Temp:	0 to +50 °C	Monitor:	29LR173A35MP/5
Storage Temp:	-20 to +65 °C	Ancillaries	
Operating Humidity:	50% to 90% (non condensing)	Resistive touchscreen RS232:	29LR173AR35MP/5
Storage Humidity:	-20% to +65% (non condensing)	Capacitive touchscreen RS232:	29LR173AC35MP/5
		with resistive touchscreen USB:	29LR173ARU35MP/5
		Stand bracket:	29ST0014LR-3
**Quoted EN60945 test. We do not recommend routine operation at extreme temperatures			
* Brightness and Contrast refer to naked LCD panel			

Due to a policy of continuous product development KME reserves the right to change specifications and descriptions without prior notification. All trademarks acknowledged.

KENT MODULAR ELECTRONICS LTD
621 Maidstone Road
Rochester, Kent ME1 3QJ
T: +44 (0)1634 830123 F: +44 (0)1634 830619
E: sales@kme.co.uk W: www.kme.co.uk

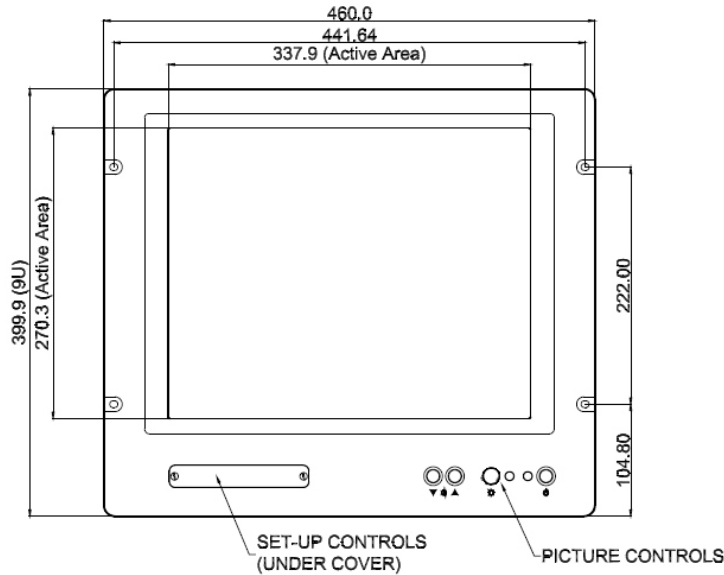


17" LCD MARINE RACKMOUNT MONITOR

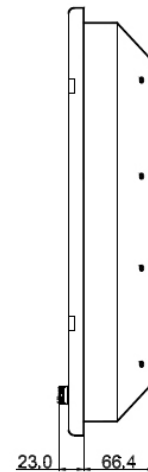
29LR173A35MP/5

DATASHEET

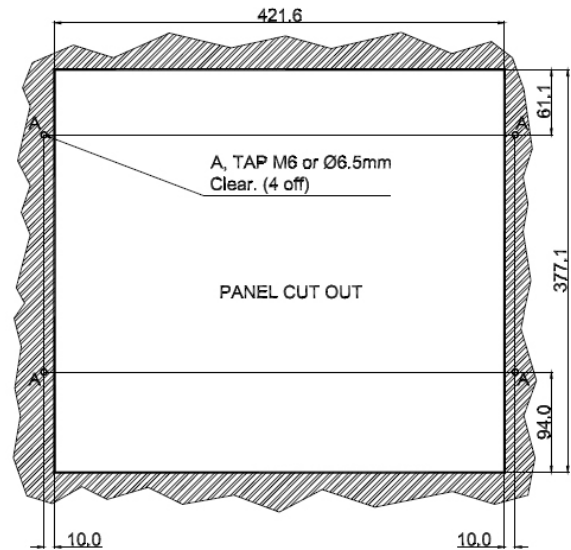
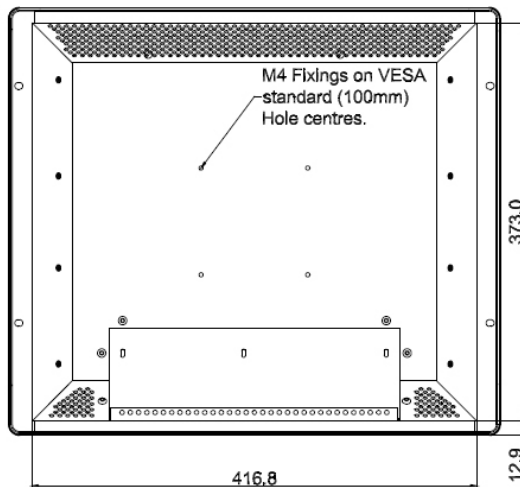
FRONT VIEW



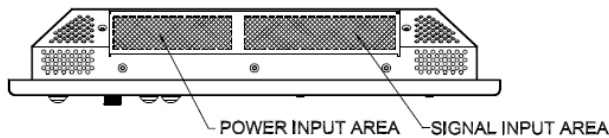
SIDE VIEW



REAR VIEW



BOTTOM VIEW



All dimensions in millimetres
(Not to scale)