

20.1" RACKMOUNT MILITARY MONITOR

29LR203D31MP-M

DATASHEET

HIGH QUALITY, RUGGED MILITARY DISPLAY

The 29LR203D31MP-M Series of LCD monitors has been designed for industrial applications that require a compact VGA/UXGA compatible monitor with good viewability. It is constructed from painted Aluminium, making it lightweight with good rigidity.

The 29LR203D31MP-M Series incorporates rugged chassis construction for shock and vibration. With wide viewing angles and deep dimming capabilities, this series of monitors is ideal for the more demanding of applications. The 31MP-M series has been designed to comply with military standards for shock & vibration and EMC.

SOLUTIONS FOR THE MILITARY ENVIRONMENT

- > Designed to comply with MIL-STD Shock, Vibration and EMC
- > Advanced Deep Dimming 2000:1
- > Contrast Enhancing AR Safety Glass
- > VGA – UXGA & PAL/NTSC



20.1" RACKMOUNT MILITARY MONITOR

29LR203D31MP-M

DATASHEET

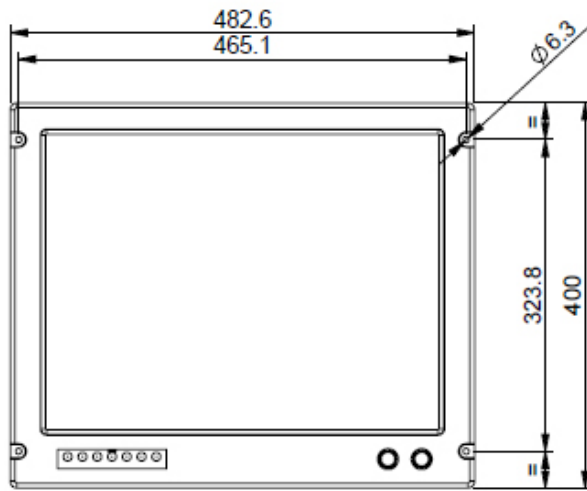
Electrical Description		Mechanical Description	
TFT Characteristics:		Dimensions:	Monitor: 482.6(w) x 400(h) x 106.7(d) mm (approx) Weight: TBD
Type:	AM Colour TFT		
Max Resolution:	1600 x 1200 pixels	Housing	Aluminium
Active Display Area:	408 x 306mm		
Response Time:	8ms average, typical		
Contrast Ratio:	800:1 typical	Environment	
Brightness:	280cd/m ² typical	Operating Temp:	-15°C to +55°C
Viewing Angles (at CR>10):	178 ° / 178 °	Storage Temp:	-20°C to 60°C
No. Colours:	16 million	Sealing:	IP65min
		Operating Humidity:	30% to 90% (non condensing)
Connector:	Power: 851-02R123P50 Signal: 8STO-12G35SN	Storage Humidity:	10% to 90% (non condensing)
Synchronisation Range:			
Horizontal scan:	15kHz (PAL) -91kHz	Shock:	Mil-STD-810F
Vertical scan:	56 - 85Hz	Vibration:	Mil-STD-810F
		EMC:	MIL-STD - 461E
Display Modes:	1600 x 1200 UXGA (recommended mode) 1280 x 1024 SXGA 1024 x 768 XGA 800 x 600 SVGA 640 x 480 VGA		
Controls:	Front panel		
Power Supply:	24V DC		
Power Consumption:	60W (Max)	Part Numbers:	
		Model number:	29LR203D31MP--M
		AC Monitor:	29LR203A31MP-M
		AC Touchscreen (resistive):	29LR203AR31MP-M
		DC Touchscreen (resistive):	29LR203DR31MP-M

Due to a policy of continuous product development KME reserves the right to change specifications and descriptions without prior notification. All trademarks acknowledged.

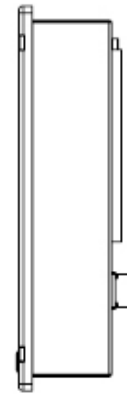
20.1" RACKMOUNT MILITARY MONITOR

29LR203D31MP-M

DATASHEET



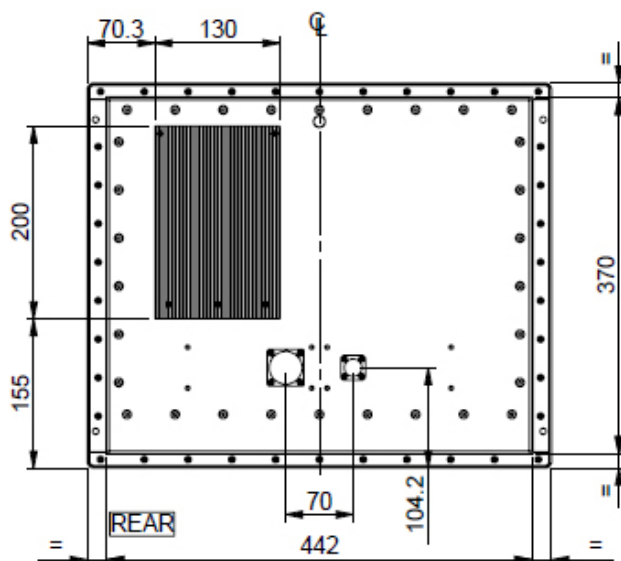
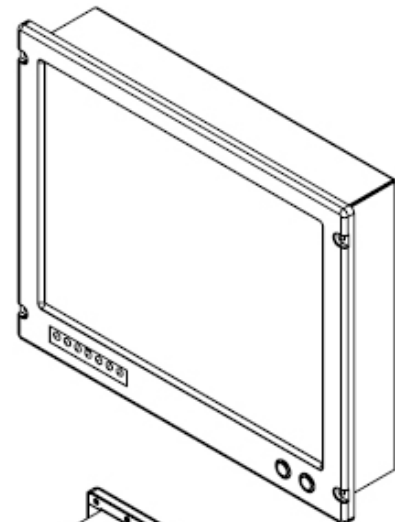
FRONT



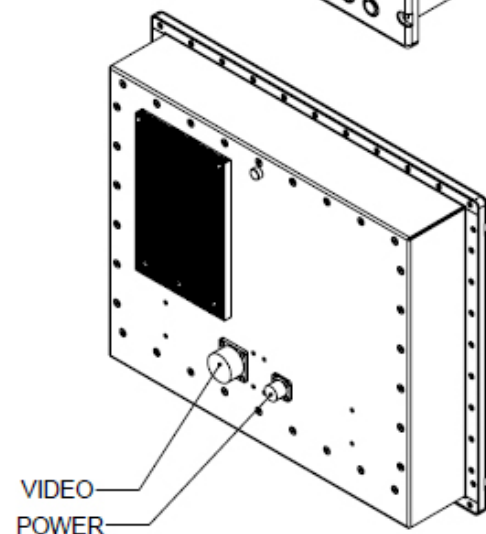
SIDE



BOTTOM



REAR



KENT MODULAR ELECTRONICS LTD
621 Maidstone Road
Rochester, Kent ME1 3QJ
T: +44 (0)1634 830123 F: +44 (0)1634 830619
E: sales@kme.co.uk W: www.kme.co.uk

