

7" MONOCHROME CRT REPLACEMENT

29LW07A11UN

DATASHEET

Electrical Description	
TFT Characteristics:	
Panel Size:	6.4" diagonal
No. of colours:	262k
Max resolution:	640 x 480 pixels
Active display area:	130.6(w) x 97.9(h) mm
Brightness:	250cd/m ²
Backlight life:	50,000 hours
Contrast ratio:	400:1 typical
Viewing angles:	130°H, 110°V
Input connectors:	10w Edge
Video Signal:	Analog RGB 0.7-1.0Vp-p, TTL (3 bit)
Signal Sync:	Separate H&V (+/-ve) TTL or Composite (-ve) TTL or Sync-on-Green (-ve) 0.3V p-p
Synchronisation Range:	Horizontal scan: 15kHz - 32kHz Vertical scan: 40-70Hz
Multiscan Support:	Fast Scan Support: 640 x 480 VGA 640 x 400; 640 x 350 & other programmed timings in 15-32kHz range
Power Supply:	90-260V AC
Clock rate:	50MHz max
Power Consumption:	2.65W typical
Physical / Environmental	
Controls: (On Screen Display buttons at rear)	Brightness, Contrast, H/V Position & Size, Frequency, Frequency Fine
Dimensions (approx):	187(w) x 138(h) x 197(l) mm
Operating Temp:	0 to 50°C
Storage Temp:	-20 to 60°C
Part Numbers:	
Model Number:	29LW07A11UN



- Monochrome LCD for CRT replacement
- Simple plug - and-play design
- High brightness / high contrast TFT panel
- Programmable for non-standard Legacy signals
- 90-260V AC operation
- OSD controls for maximum versatility

The 29LW07A11UN series of monitors have been designed for industrial applications in the Control field and other users that require a compact replacement for monochrome CRT monitors with a small footprint, high brightness display and good viewing angles. The rugged, metal construction of the monitors ensures simple retro-fit replacement.

The KME A/D board used has been designed to accept a wide range of signal timings from 15kHz up to VGA standard, including CGA & EGA legacy signals. Set-up controls for fine-tuning of the display are located at the rear of the monitor. Once set, no further adjustments should be required, and the last setting is stored in memory.

Analogue & TTL signals are accepted via a 10w edge connector.

Due to a policy of continuous product development KME reserves the right to change specifications and descriptions without prior notification. All trademarks acknowledged.

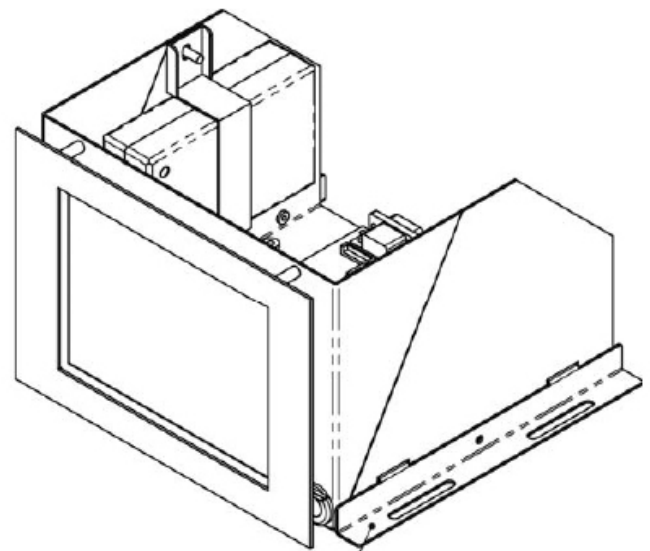
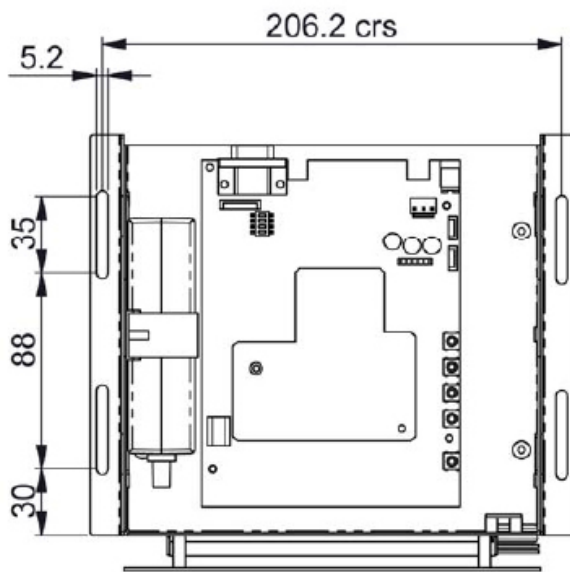
KENT MODULAR ELECTRONICS LTD
621 Maidstone Road
Rochester, Kent ME1 3QJ
T: +44 (0)1634 830123 F: +44 (0)1634 830619
E: sales@kme.co.uk W: www.kme.co.uk



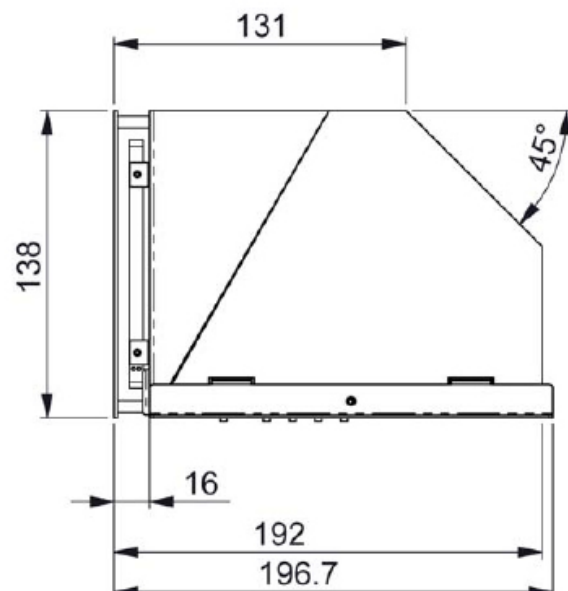
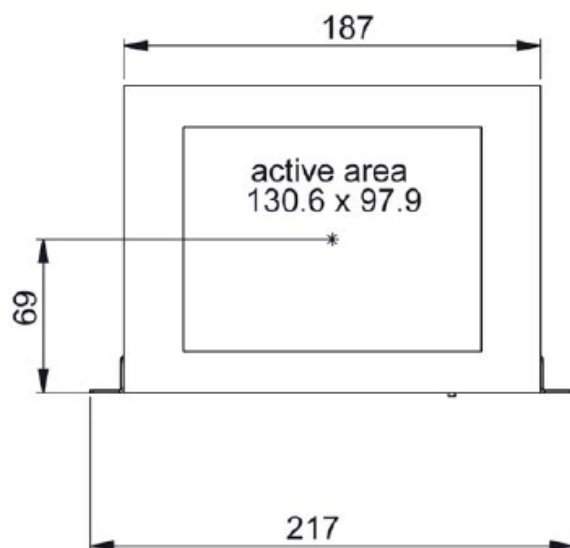
7" MONOCHROME CRT REPLACEMENT

29LW07A11UN

DATASHEET



Optional side fixing brackets



KENT MODULAR ELECTRONICS LTD
621 Maidstone Road
Rochester, Kent ME1 3QJ
T: +44 (0)1634 830123 F: +44 (0)1634 830619
E: sales@kme.co.uk W: www.kme.co.uk

