

8.4" IN CAR DISPLAY LCD HEAD MONITOR

ICD-810

DATASHEET

HIGH QUALITY, LCD MONITOR HEAD

KME has developed this display module for use in vehicles where an economically priced SVGA TFT flat panel monitor is required with a bright screen and wide viewing angles.

The ICD-810 series is supplied with Helioview™ transfective technology to improve viewability in direct sunlight and a resistive touchscreen via USB.

The monitor has deep dimming, VGA/DVI. It is designed to fit a single DIN-E radio slot.

SOLUTIONS FOR MONITOR HEADS

- > **Touch screen facility**
A resistive touch screen has been integrated via USB
- > **Inputs**
VGA (HD-15), DVI-D
- > **Adjustable depth of head unit**
- > **Rugged metal construction with good stability**
The LCD monitor has been designed with solidity, being housed in a compact metal construction with a toughened glass touch screen.



8.4" IN CAR DISPLAY LCD HEAD MONITOR

ICD-810

DATASHEET

Electrical Description		Mechanical Description	
TFT Characteristics:	Type:	a-si TFT active matrix	Input: VGA (HD-15), DVI-D
	Max Resolution:	800 x 600 pixels	Housing: Painted aluminium
	Active Display Area:	170.4 x 127.8 mm	User Controls: Rear mounted
	Response Time:	25ms average, typical	Side Controls: Side power switch, deep dimming
	Contrast Ratio:	600:1 typical	Touchscreen: Resistive touchscreen via USB interface
	Brightness:	600cd/m ² typical	Other Features: Transflective LCD panel
	Viewing Angles (at CR>10):	80 ° R / 80 ° L / 80 ° Up / 60 ° down	
	Backlight Life:	50,000 hours typical	
	No. Colours:	16.7 Million	
Video Signal:		Analog 0.7Vp-p	
Signal Sync:		Separate H&V (+/-ve) TTL Sync-on-Green -0.3Vp-p	
Synchronisation Range:	Horizontal scan:	30kHz - 80kHz	
	Vertical scan:	50 to 65Hz	
Display modes:	VESA Support:	640 x 480 VGA 800 X 600 SVGA (recommended)	
Power Supply:		12V DC	
Power Consumption:		15W (Max)	Part Numbers:
Environmental:	Storage Temp:	-20 to 80°C	Model number: ICD-810
	Operating Temp:	-10 to 70°C	

Due to a policy of continuous product development KME reserves the right to change specifications and descriptions without prior notification. All trademarks acknowledged.

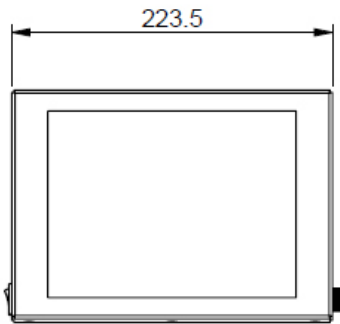
KENT MODULAR ELECTRONICS LTD
621 Maidstone Road
Rochester, Kent ME1 3QJ
T: +44 (0)1634 830123 F: +44 (0)1634 830619
E: sales@kme.co.uk W: www.kme.co.uk



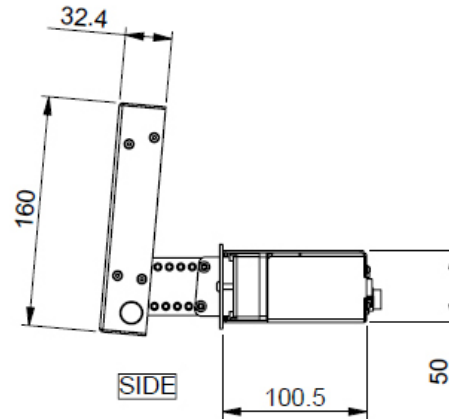
8.4" IN CAR DISPLAY LCD HEAD MONITOR

ICD-810

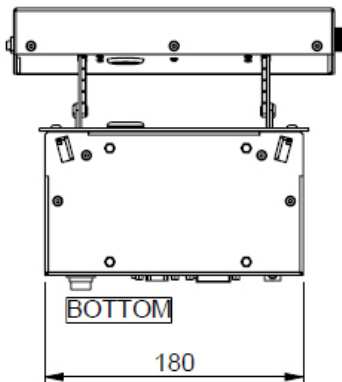
DATASHEET



FRONT



SIDE



BOTTOM

